

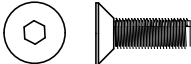
# GENEVA

## DeCon Floor-stand Assembly Manual

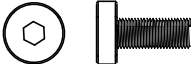
4 x long screws



3 x short screws



5 x short screws



4 x rubber feet



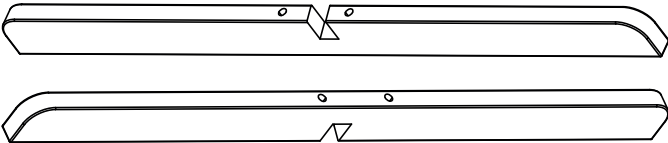
1 x tube (A)



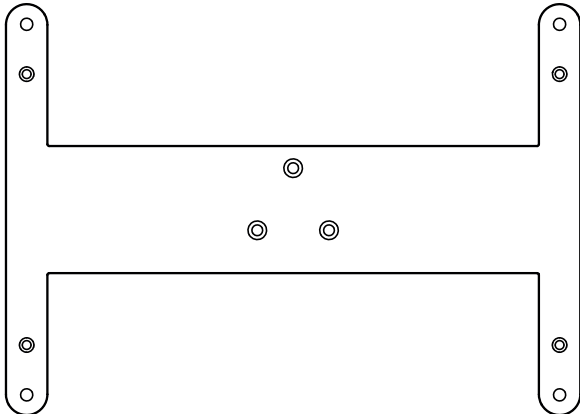
1 x steel disc (B)



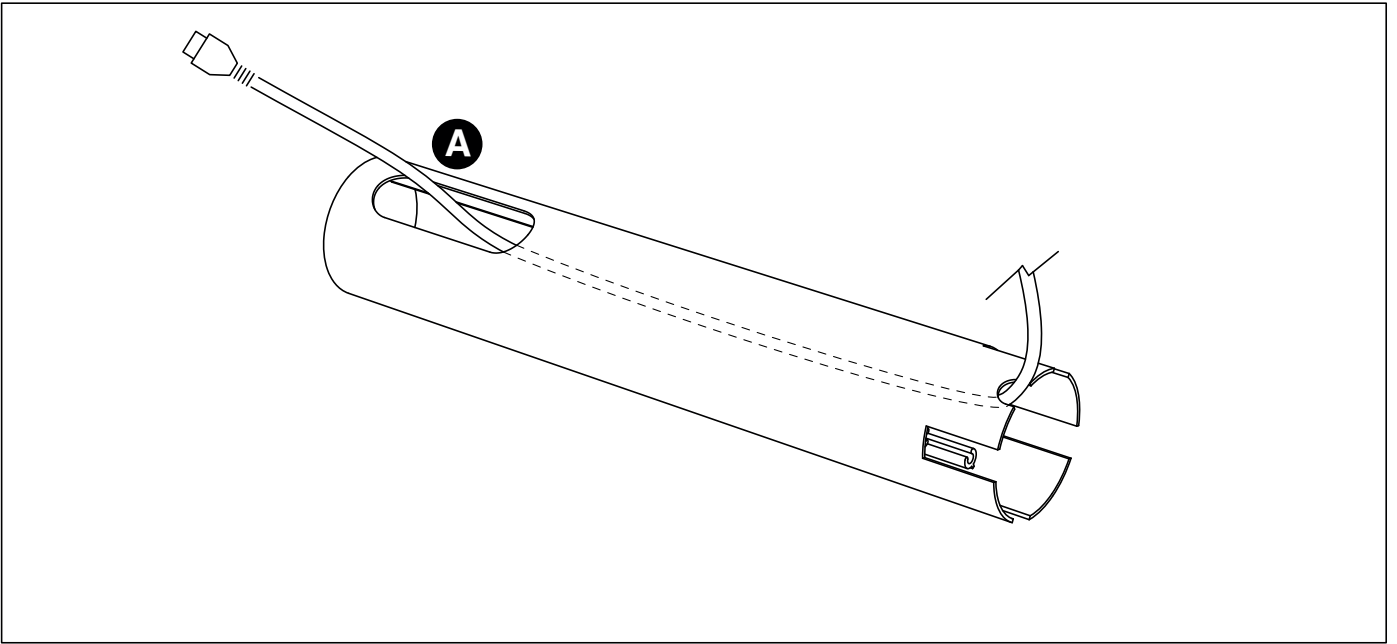
2 x legs (C,D)



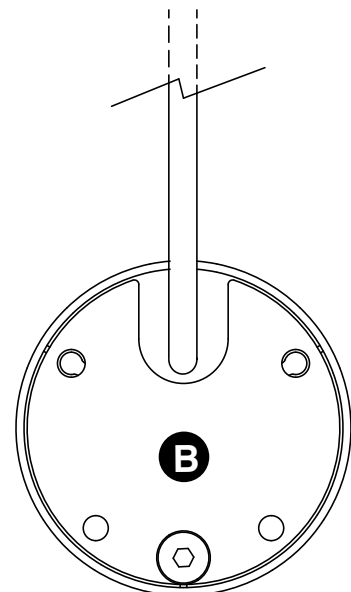
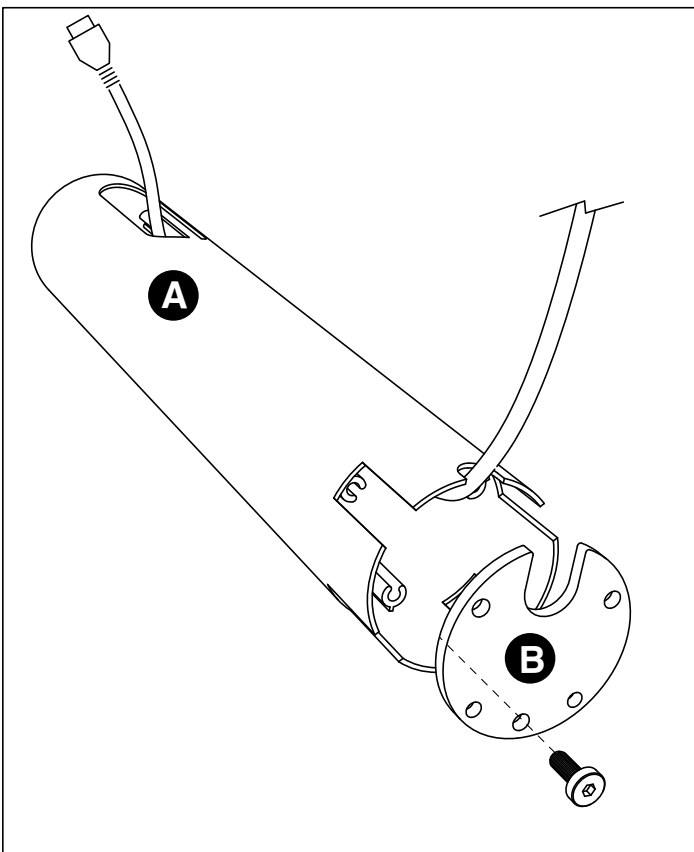
1 x plate (E)



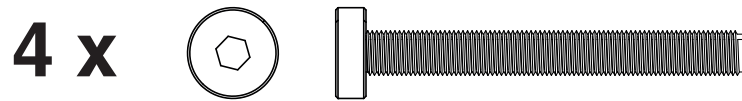
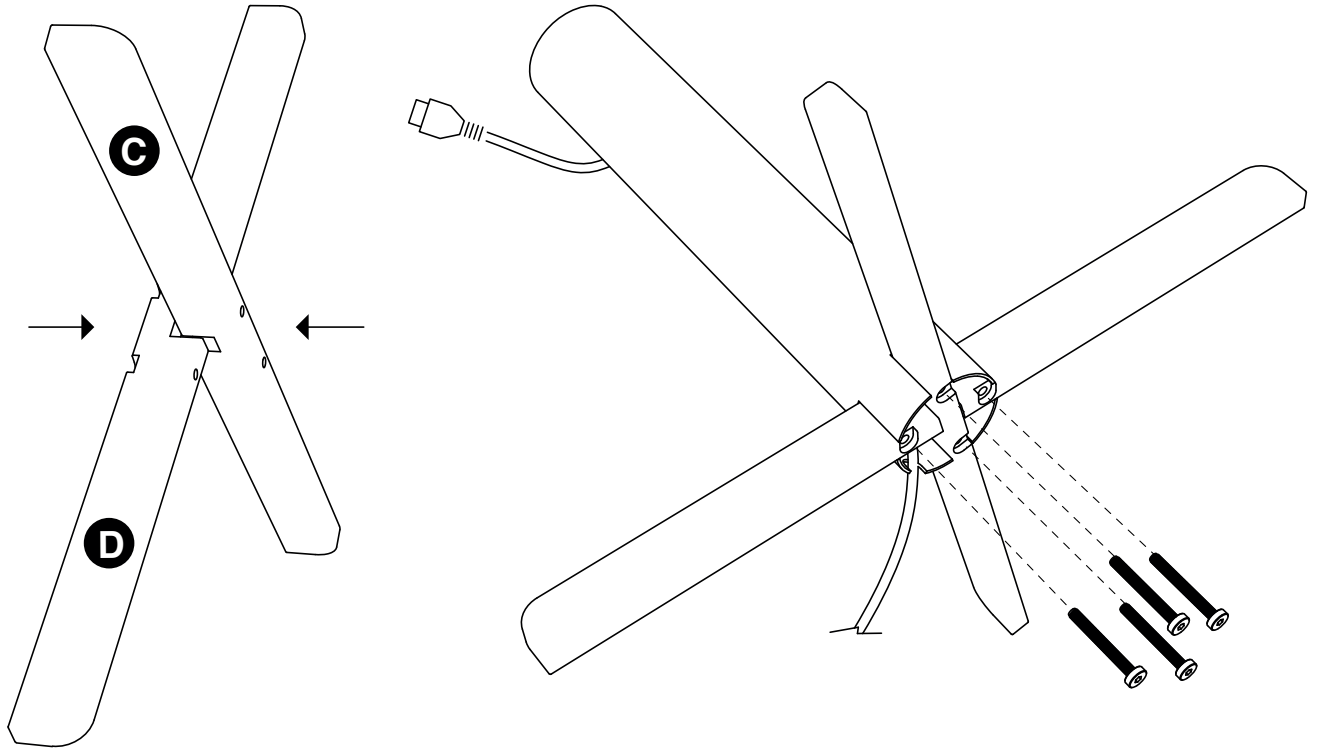
1. Insert the power cable into the tube (A).



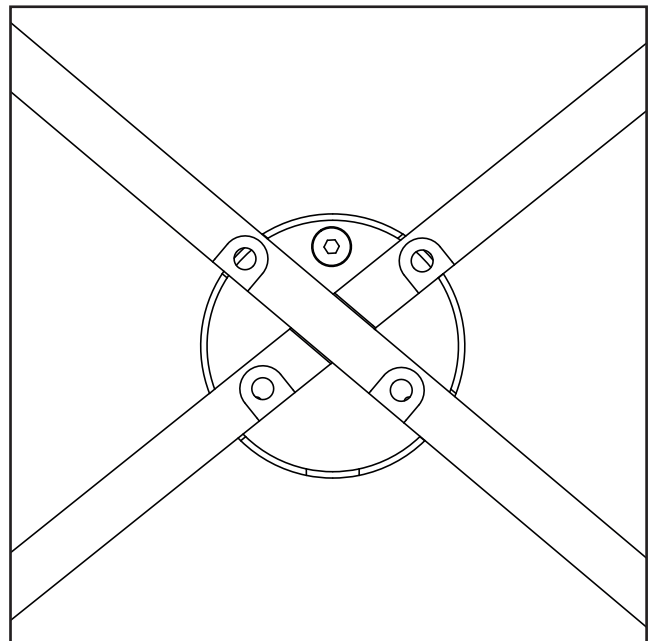
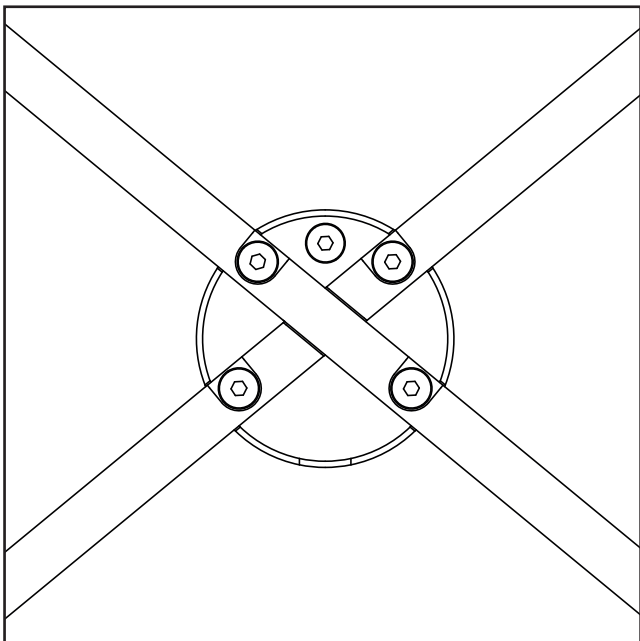
2. Insert the steel disc (B) and screw it to the tube (A), using 1 screw in the centre hole.



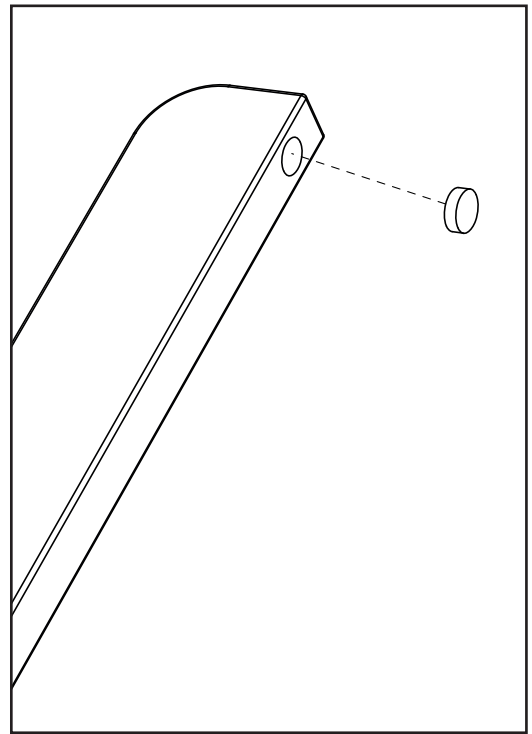
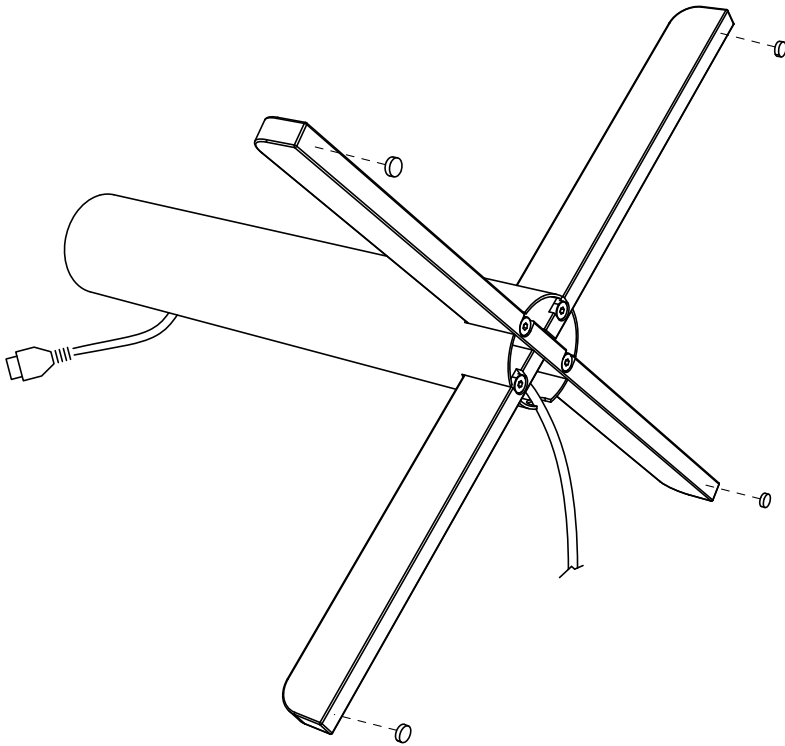
3. Join the 2 legs (C and D) and screw them to the tube through the steel disc (B), using the 4 long screws.



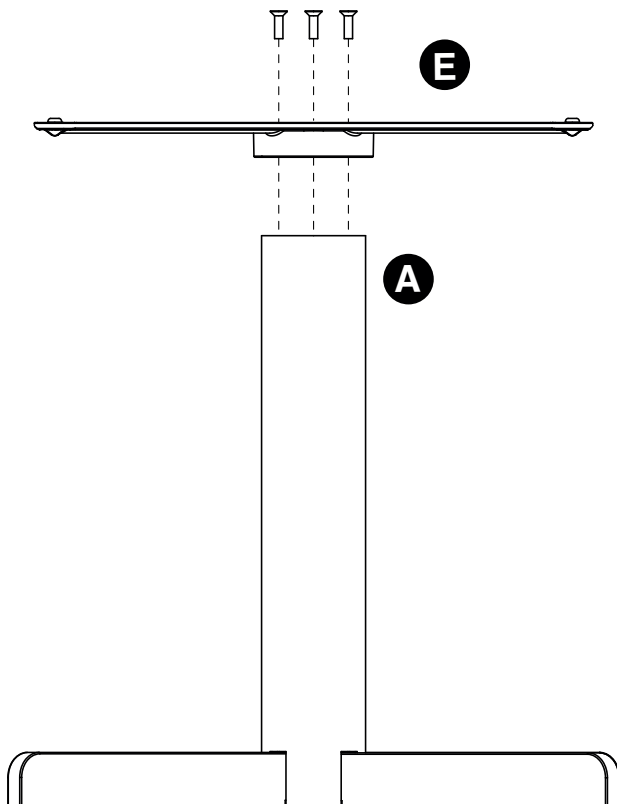
Carefully check that the holes in the legs align with the holes of the steel disc.




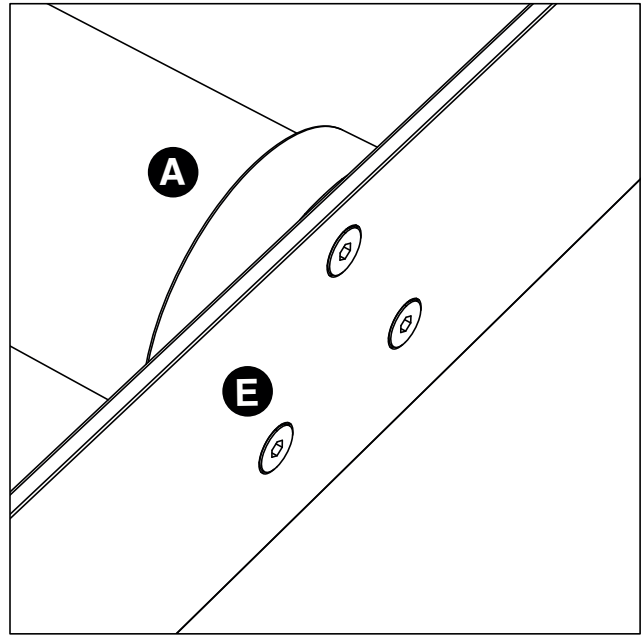
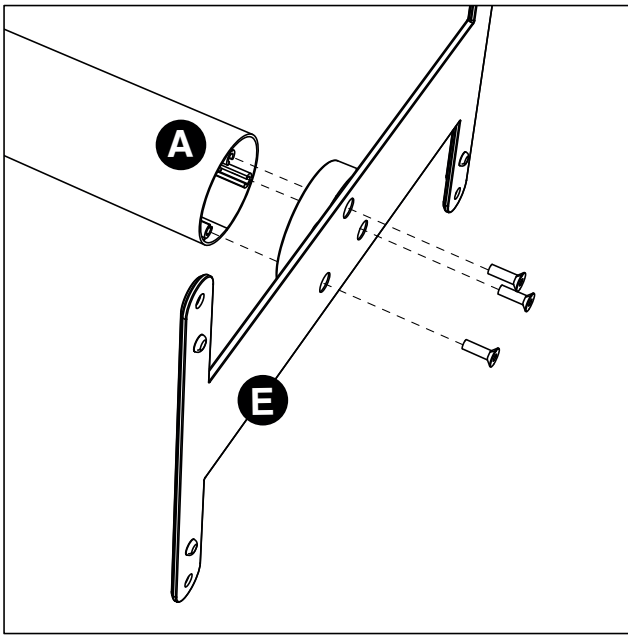
4. Attach the 4 rubber feet onto the legs.



5. Screw the plate (E) to the top of the tube (A).



**3 x**  



6. Turn DeCon upside down and screw the plate (E) on it.

